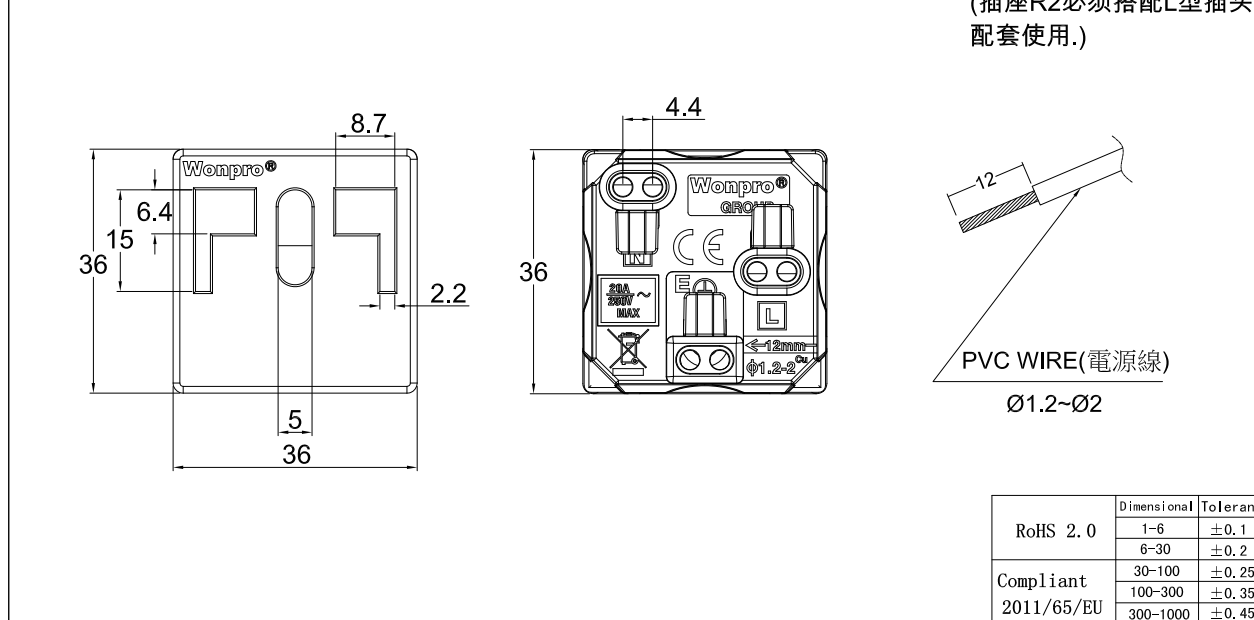
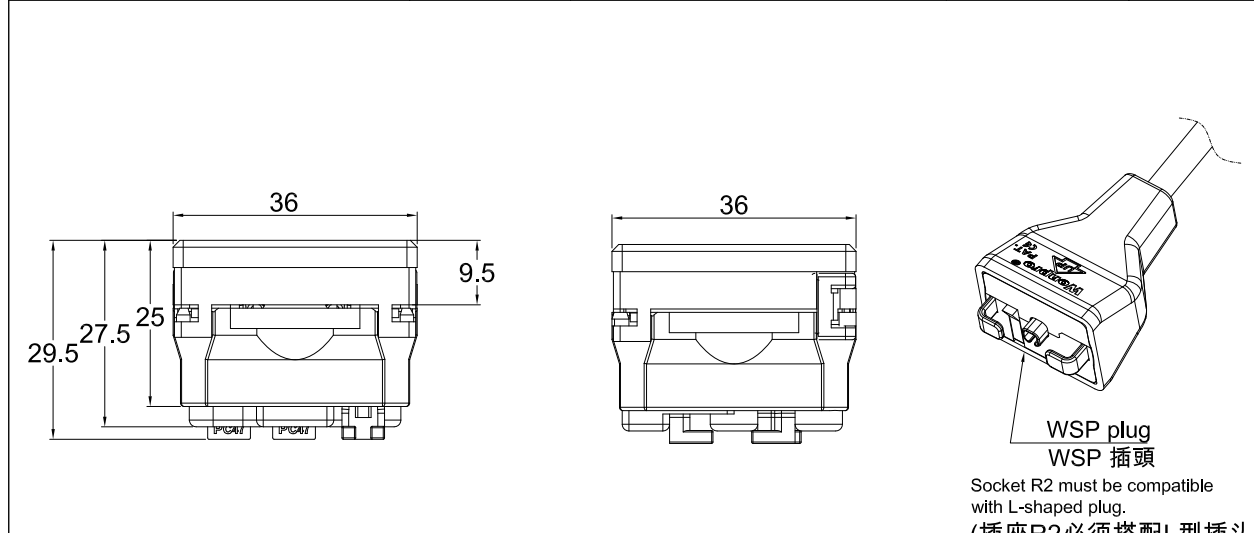


Wonpro® Specification Recognition	Customer (客戶名稱)		Spec. No. (承認書編號)	Version (版本)	Model Number (型號)	Rated (額定)	Insulated Voltage Proof (耐壓)
	Prod. Series (系列名稱)	R Series (R 系列)	P13.1	VER : A0 2019.08.19	R2	20A/125V~	2KV

Main Material (主要材質)

NO.	Parts Name (細部名稱)	Material (材質)	Specification (規格)	Certification (安規認證)
1.	Enclosure (外壳)	PC	PC-110	UL E56070
2.	Terminal-L/N/E 端子L/N/E	Brass	C2800 H62	GB/T2059-2008
3.	Wire Releaser 退线块	NYLON	PA66 1300S	UL E48285
4.	Cover Combine Fitting 角扣	NYLON	PA66 1300S	UL E48285
5.				
6.				



Per Packing Case (每一包裝外箱)

Packing Mode (包裝方式)	Q'TY (數量)	N.W. (淨重)	G.W. (毛重)	CUFT (材積)
Box: pcs/box (盒裝: 个/盒)				
Box/ Carton (盒/箱)				
storage conditions (儲存條件)	In the normal indoor temperature(-5~40°C) 一般室內环境温度(-5~40°C)		relative humidity(RH):20%~70% 相对湿度(20%~70%)	

Caution (注意事項)

- IT DOSE NOT PERFORM VOLTAGE STEP-UP OR STEP-DOWN CONVERSION BETWEEN 125V AND 250V.
(本產品無電壓轉換之功能)
- WHEN USE, PLEASE CHECK AND ENSURE YOUR ELECTRONICS APPARATUS CAN WORK WITH THE LOCAL VOLTAGE.
(使用本產品時, 請確認你的電器產品是否適用於當地電壓)
- WHEN MARK WITH INPUT 100V-240V, IT CAN BE USED ON THE RECHARGER LIKE PORTABLE COMPUTER, MOBILE PHONE & DIGITAL CAMERA. NO NECESS SELECT THE VOLTAGE.
(一般常用之手提電腦行動電話, 數位相機之充電器若有標示INPUT100V-240V即可使用, 無需選擇電壓)
- WHEN DO NOT USE, PLEASE TAKE OFF AND DO NOT STAY ON THE RECEPTACLE FOR SAFE PURPOSE.
(不使用時請勿將產品留在插座上, 以確保安全)

RoHS 2.0	Dimensional	Tolerance
	1-6	±0.1
Compliant 2011/65/EU	6-30	±0.2
	30-100	±0.25
	100-300	±0.35
	300-1000	±0.45

Model Number (型號)	R2	Description (品名)	L-shaped safety receptacle(2P+E) L型安全插座 (接地型)	Safety Certification	Quality Certification
Suitable for Area (適用國家)	配合WSP使用 Used with # WSP plug for wonpro				
制	作	钟亚红	审	核	吴祖林

Manufacturer : YANG JI CO.,LTD
 Tel : (886-2) 8912-1212 Fax: (886-2) 8912-1218
 Address : 3F., No. 118, Ln. 235, Baoqiao Rd., Xindian Dist., New Taipei City 23145, Taiwan (R.O.C.)
 New Taipei City 231, Taiwan. (R.O.C.)
 Web Site : www.wonpro.com E-Mail: wonpro@wonpro.com
 製造商 : 洋基科技有限公司
 電話 : (886-2)8912-1212 傳真: (886-2)8912-1218
 地址 : 23145 新北市新店區寶橋路235巷120號3樓
 網址 : www.wonpro.com 電子信箱: wonpro@wonpro.com

批 准 邱明文