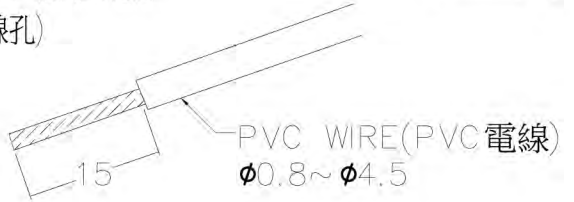
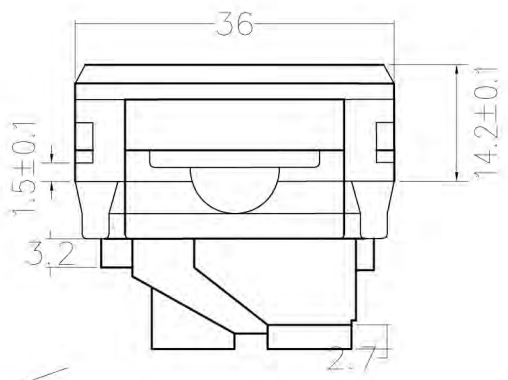
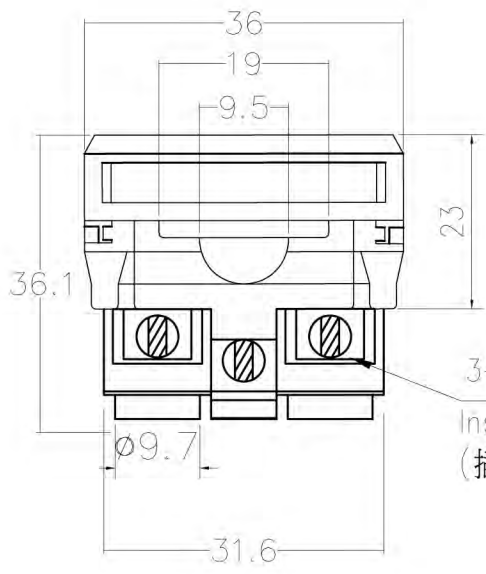
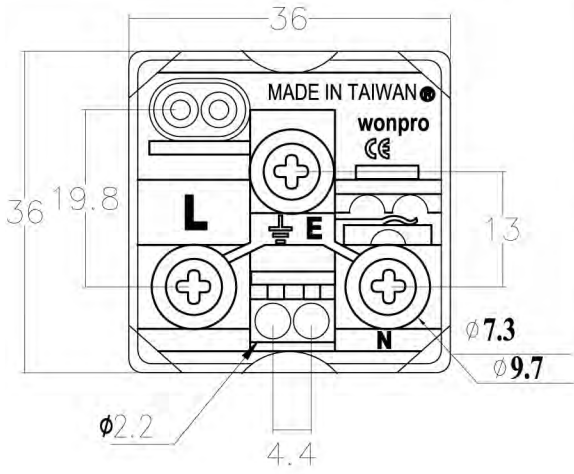
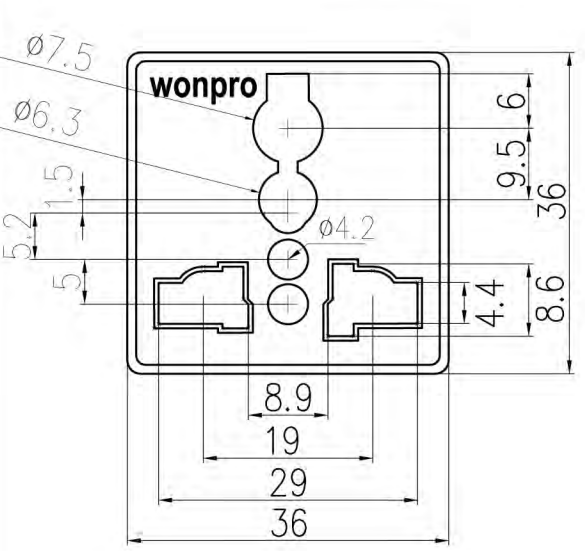


Wonpro[®] 萬寶

Specification Recognition

Customer (客戶名稱)	R Series R系列	Prod. Series (承認書編號)	190912 Feng
Prod. Series (系列名稱)			



Model Number (型號)	Rated (額定)	Insulated Voltage Proof (耐壓)
R4T	20A 250V	3KV/1mA/60sec

Main Material (主要材質)

NO.	Parts Name (細部名稱)	Material (材質)	Specification (規格)	Certification (安規認證)
1.	shell	PC	LN-2250	E50075
2.	Cover Combine	NYLON	PA-66	
3.	conducting strip	brass strip	C-2680	
4.	Screw	steel	NICKEL	
5.				
6.				

Per Packing Case (每一包裝外箱)

Packing Mode (包裝方式)	Q'TY (數量)	N. W. (淨重)	G. W. (毛重)	CUFT (材積)
Box: 10pcs/box (盒裝: 10個/盒)				
Blister Card (吊卡裝)				

Caution (注意事項)

1. IT DOSE NOT PERFORM VOLTAGE STEP-UP OR STEP-DOWN CONVERSION BETWEEN 125V AND 250V.
(本產品無電壓轉換之功能)

2. WHEN USE, PLEASE CHECK AND ENSURE YOUR ELECTRONICS APPARATUS CAN WORK WITH THE LOCAL VOLTAGE.
(使用本產品時, 請確認你的電器產品是否適用於當地電壓)

3. WHEN MARK WITH INPUT 100V-240V, IT CAN BE USED ON THE RECHARGER LIKE PORTABLE COMPUTER, MOBILE PHONE & DIGITAL CAMERA. NO NECESS SELECT THE VOLTAGE.
(一般常用之手提電腦行動電話, 數位相機之充電器若有標示INPUT 100-240即可使用, 無需選擇電壓)

4. WHEN DO NOT USE, PLEASE TAKE OFF AND DO NOT STAY ON THE RECEPTACLE FOR SAFE PURPOSE.
(不使用時請勿將產品留在插座上, 以確保安全)

Manufacturer : WONPRO CO., Ltd.
 Tel : (886-2)8912-1212 Fax: (886-2)8912-1218
 Address: 3FL, NO. 118, Lane 235, Pao - Chiao Road,
 Hsin Tien City, Taipei Hsien, Taiwan R. O. C
 Web Site: www.wonpro.com E-Mail: wonpro @ wonpro.com
 製造商: 梵輔路有限公司
 電話: (886-2)8912-1212 傳真: (886-2)8912-1218
 地址: (231)台北縣新店市寶橋路235巷118號3樓
 網址: www.wonpro.com 電子信箱: wonpro @ wonpro.com

Model Number (型號)	R4T	Description (品名)	Screw type universal receptacle (鎖線式萬用插座-接地型)	Safety Certification	Quality Certification
Suitable for Area (適用國家)	All over the world. (世界通用)				