

Wonpro® Specification Recognition	Customer (客戶名稱)		Spec. No. (承認書編號)	Version (版本)	Model Number (型號)	Rated (額定)	Insulated Voltage Proof (耐壓)
	Prod. Series (系列名稱)	R Series (R 系列)		VER: A1 2019. 11. 26	R5A	10A/250V~	2KV

Main Material (主要材質)

NO.	Parts Name (細部名稱)	Material (材質)	Specification (規格)	Certification (安規認證)
1.	Enclosure (外壳)	PC	PC-110	UL E56070
2.	Terminal-L/N L/N端子	Brass	C2800 H62	GB/T2059-2008
3.	Terminal-E 地线端子	phosphor copper 磷铜	Qsn6. 5-0. 1	GB/T2059-2008
4.	Wire Releaser 退线块	NYLON	PA66 1300S	UL E48285
5.	Cover Combine Fitting 角扣	NYLON	PA66 1300S	UL E48285
6.				

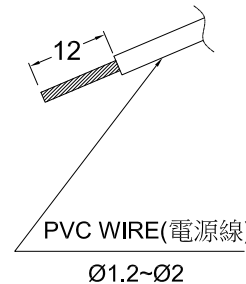
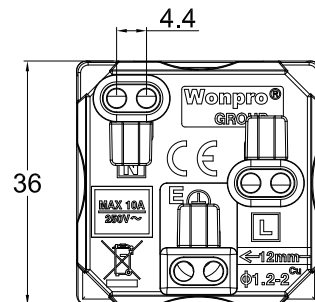
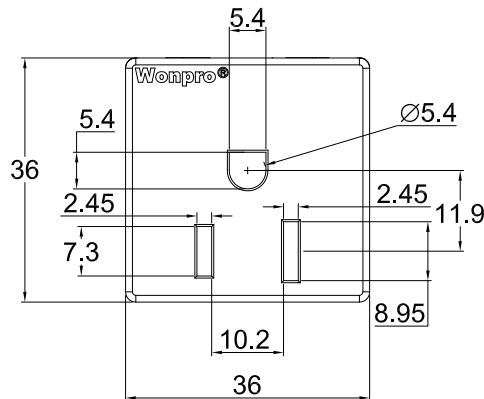
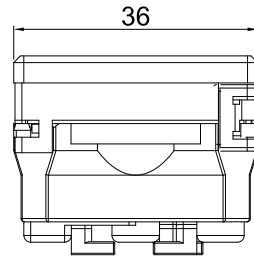
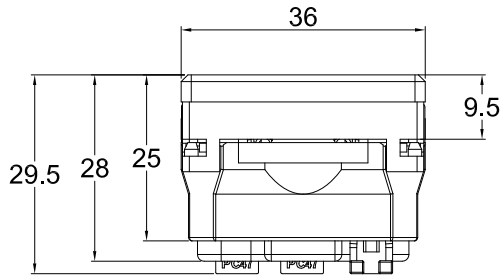
Per Packing Case (每一包裝外箱)

Packing Mode (包裝方式)	Q'TY (數量)	N.W. (淨重)	G.W. (毛重)	CUFT (材積)
Box: pcs/box (盒裝: 個/盒)				
Box/Carton (盒/箱)				
storage conditions (儲存條件)	In the normal indoor temperature(-5~40° 一般室內环境温度(-5~40°C)		Relative humidity(RH):20%~70% 相对湿度 (20%~70%)	



Caution (注意事項)

- The external dimension:36*36mm,Please install with Wonpro system frame.
(本产品外型尺寸:36*36mm,请搭配Wonpro系统的框架组合安装)
- When you install this socket, please use a qualified cable.
(安装时请使用合格电源线)
- This is a non-standard socket, please make sure your equipment is suitable for the local voltage.
(本产品为非标准极型插座,用电时请注意您的设备是否适用于当地电压)



RoHS 2.0	Dimensional	Tolerance
	1-6	±0.1
	6-30	±0.2
Compliant 2011/65/EU	30-100	±0.25
	100-300	±0.35
	300-1000	±0.45

Manufacturer : YANG JI CO.,LTD
 Tel : (886-2)8912-1212 Fax:(886-2)8912-1218
 Address : 3F., No. 120, Ln. 235, Baoqiao Rd., Xindian Dist.,
 New Taipei City 23145, Taiwan (R.O.C.)
 Web Site : www.wonpro.com E-Mail: wonpro@wonpro.com
 製造商 : 洋基科技有限公司
 電話 : (886-2)8912-1212 傳真 : (886-2)8912-1218
 地址 : 23145新北市新店區寶橋路235巷120號3樓
 網址 : www.wonpro.com 電子信箱: wonpro@wonpro.com

Model Number (型號)	R5A	Description (品名)	Standard U.S.A Receptacle: 2p+E (標準型插座: 接地型)	Safety Certification	Quality Certification
Suitable for Area (適用國家)	Tai wan, Japan, U. S. A. Canada plugs (臺灣、日本、美國、加拿大等插頭使用)				
制 作	钟亚红	审 核	吴祖林	批 准	邱明文