

|   |                        |                    |                      |                         |                      |               |                                 |
|---|------------------------|--------------------|----------------------|-------------------------|----------------------|---------------|---------------------------------|
| <b>Wonpro®</b><br>Specification Recognition | Customer<br>(客戶名稱)     |                    | Spec. No.<br>(承認書編號) | Version<br>(版本)         | Model Number<br>(型號) | Rated<br>(額定) | Insulated Voltage<br>Proof (耐壓) |
|   | Prod. Series<br>(系列名稱) | R Series<br>(R 系列) |                      | VER: A1<br>2019. 11. 26 | R5AT                 | 20A/250V~     | 2KV                             |

### Main Material (主要材質)

| NO. | Parts Name<br>(細部名稱)            | Material<br>(材質)       | Specification<br>(規格) | Certification<br>(安規認證) |
|-----|---------------------------------|------------------------|-----------------------|-------------------------|
| 1.  | Enclosure<br>(外殼)               | PC                     | PC-110                | UL E56070               |
| 2.  | L/N-conducting strip<br>L/N極導電片 | Brass                  | C2800<br>H62          | GB/T2059-2008           |
| 3.  | E-conducting strip<br>E極導電片     | phosphor copper<br>磷 銅 | Qsn6. 5-0. 1          | GB/T2059-2008           |
| 4.  | screw<br>螺絲                     | Carbon Steel           | M3*5. 7               | GB/T6478-2001           |
| 5.  | Wire Holder<br>鎖線塊              | Brass                  | C-3604<br>H59         | GB/T2059-2008           |
| 6.  |                                 |                        |                       |                         |
| 7.  |                                 |                        |                       |                         |

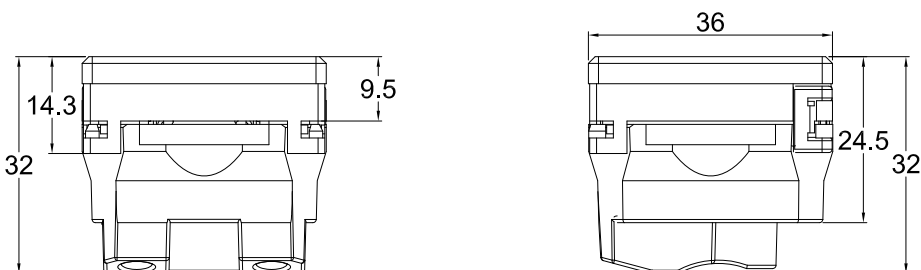
### Per Packing Case (每一包裝外箱)

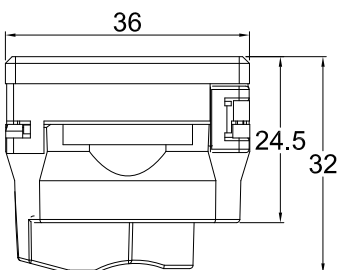
| Packing Mode<br>(包裝方式)       | Q'TY<br>(數量)   | N. W.<br>(淨重) | G. W.<br>(毛重) | CUFT<br>(材積) |
|------------------------------|--|---------------|---------------|--------------|
| 10Box: pcs/box<br>(盒裝: 個/盒)  |  |               |               |              |
| 50 Box/ Carton<br>(50盒/箱)    |  |               |               |              |
| Storage conditions<br>(儲存條件) | In the normal indoor temperature(-5~40°C) relative humidity(RH):20%~70%<br>一般室內环境温度(-5~40°C) 相对湿度(20%~70%) |               |               |              |

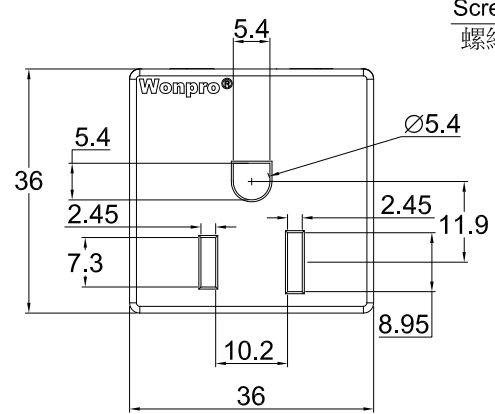


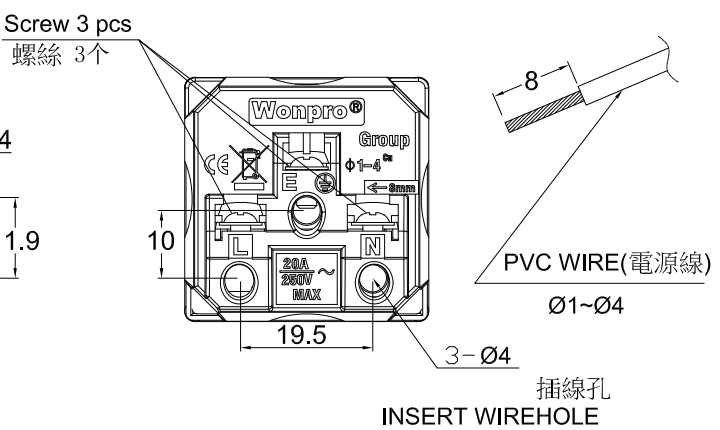
## Caution (注意事項)

- IT DOSE NOT PERFORM VOLTAGE STEP-UP OR STEP-DOWN CONVERSION BETWEEN 125V AND 250V.  
(本產品無電壓轉換之功能)
- WHEN USE, PLEASE CHECK AND ENSURE YOUR ELECTRONICS APPARATUS CAN WORK WITH THE LOCAL VOLTAGE.  
(使用本產品時, 請確認你的電器產品是否適用於當地電壓)
- WHEN MARK WITH INPUT 100V-240V, IT CAN BE USED ON THE RECHARGER LIKE PORTABLE COMPUTER, MOBILE PHONE & DIGITAL CAMERA. NO NECESS SELECT THE VOLTAGE.  
(一般常用之手提電腦行動電話, 數位相機之充電器若有標示INPUT100V-240V即可使用, 無需選擇電壓)
- WHEN DO NOT USE, PLEASE TAKE OFF AND DO NOT STAY ON THE RECEPTACLE FOR SAFE PURPOSE.  
(不使用時請勿將產品留在插座上, 以確保安全)









Screw 3 pcs  
螺絲 3个

PVC WIRE(電源線)  
Ø1~Ø4

3-Ø4  
插線孔  
INSERT WIREHOLE

| RoHS 2.0                | Dimensional | Tolerance |
|-------------------------|-------------|-----------|
|                         | 1-6         | ±0.1      |
| 6-30                    | ±0.2        |           |
| Compliant<br>2011/65/EU | 30-100      | ±0.25     |
|                         | 100-300     | ±0.35     |
|                         | 300-1000    | ±0.45     |

|                             |  |                     |  |                         |                          |   |
|-----------------------------|--|---------------------|--|-------------------------|--------------------------|---|
| Model Number<br>(型號)        | R5AT   | Description<br>(品名) | Standard U.S. A Receptacle: 2p+E<br>(標準型插座: 接地型) | Safety<br>Certification | Quality<br>Certification | Manufacturer : YANG JI CO.,LTD<br>Tel : (886-2)8912-1212 Fax:(886-2)8912-1218<br>Address : 3F., No. 120, Ln. 235, Baoqiao Rd., Xindian Dist.,<br>New Taipei City 23145, Taiwan (R.O.C.)<br>Web Site : www.wonpro.com E-Mail: wonpro@wonpro.com<br>製造商 : 洋基科技有限公司<br>電話 : (886-2)8912-1212 傳真 : (886-2)8912-1218<br>地址 : 23145新北市新店區寶橋路235巷120號3樓<br>網址 : www.wonpro.com 電子信箱: wonpro@wonpro.com |
| Suitable for Area<br>(適用國家) | Tai wan, Japan, U. S. A. Canada plugs<br>(臺灣、日本、美國、加拿大等插頭使用) |                     |  | <b>CE</b>               |                          |   |
| 制 作                         | 钟亚红  | 审 核                 | 吴祖林  | 批 准                     | 邱明文                      |   |