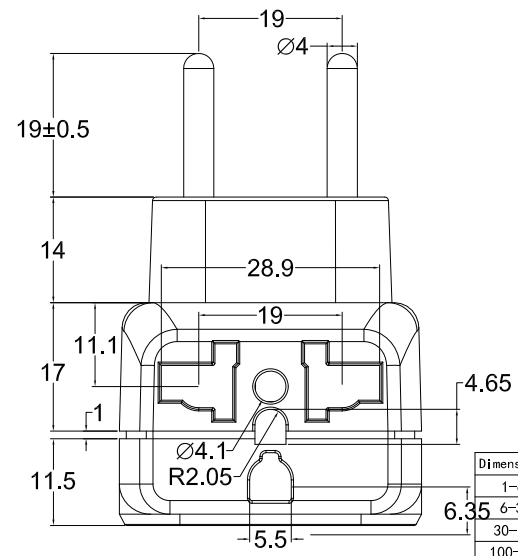
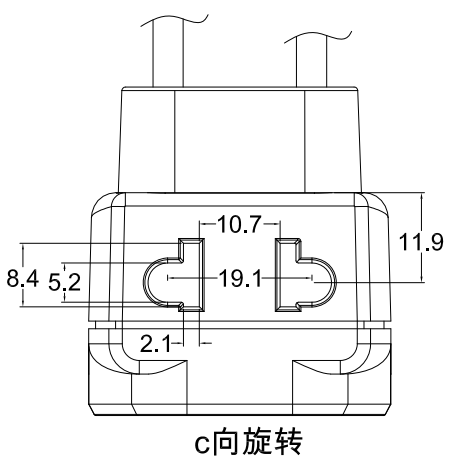
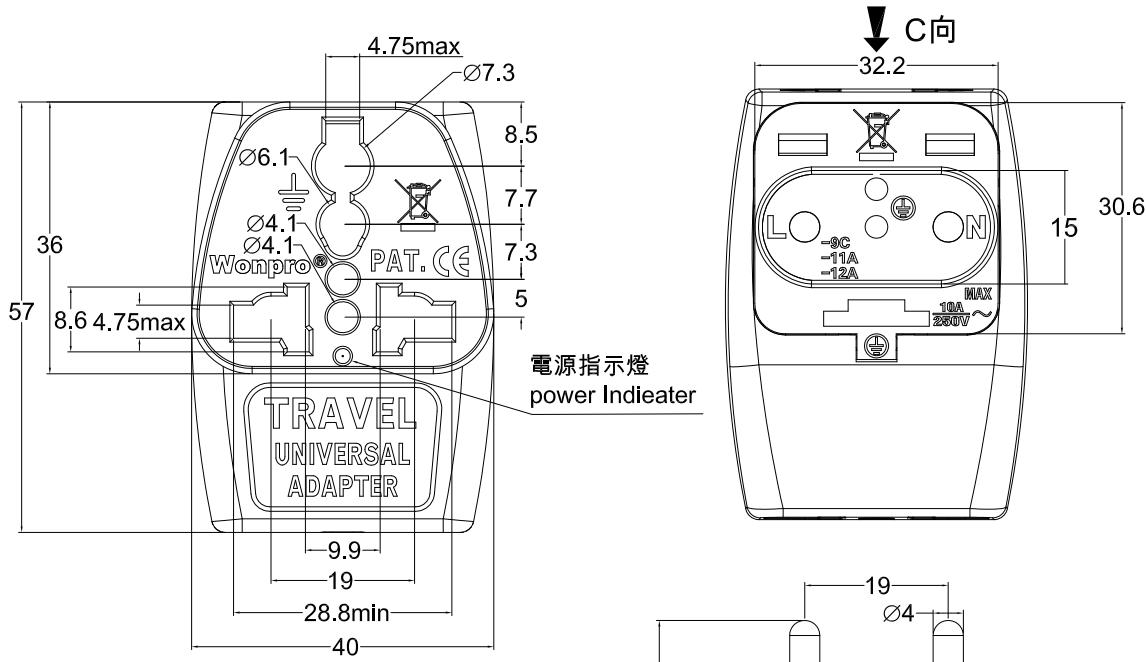


Wonpro®

Customer (客户名称)	Spec. No. (承认书编号)	Version (版本)	Model Number (型号)	Rated (额定)	Insulated Voltage Proof (耐压)
Prod. Series (系列名称)	WAlllv Series (WAlllv系列)	VER : A1 2017.01.17	TAP-103C	10A/250V~	2KV



Main Material (主要材質)

No.	Parts Name (细部名称)	Material (材质)	Specification (规格)	Certification (安规认证)
1.	Shell (外壳)	PC	PC-540	UL E56070
2.	Plug plate (脚板)	PC	PC-110	UL E56070
3.	Plug pins (圆插脚)	Brass	C-3604 H59	H3250-2012
4.	Receptacle Terminal (插座导电片)	Brass	C-2800 H62	GB/T2059-2008
5.				
6.				

Per Packing Case (每一包装外箱)

Packing Mode (包装方式)	Q'TY (数量)	N.W. (淨重)	G.W. (毛重)	CUFT (材積)
Box: pcs/box (盒装: 个/盒)				
Box/Carton (盒/箱)				
storage conditions (储存条件)	In the normal indoor temperature(-5~40°C) 一般室内环境温度(-5~40°C)		relative humidity(RH):20%~70% 相对湿度 (20%~70%)	

Caution (注意事项)

1.IT DOSE NOT PERFORM VOLTAGE STEP-UP OR STEP-DOWN CONVERSION BETWEEN 125V AND 250V.
(本产品无电压转换之功能)

2.WHEN USE,PLEASE CHECK AND ENSURE YOUR ELECTRONICS APPARATUS CAN WORK WITH THE LOCAL VOLTAGE.
(使用本产品时,请确认你的电脑产品是否适用于当地电压)

3.WHEN MARK WITH INPUT 100V-240V,IT CAN BE USED ON THE RECHARGER LIKE PORTABLE COMPUTER,MOBILE PHONE & DIGITAL CAMERA.NO NECESS SELECT THE VOLTAGE.
一般常用之手提电脑行动电话,数字相机之充电器若有标示INPUT 100V-240V即可使用,无需选择电压

4.WHEN DO NOT USE,PLEASE TAKE OFF AND DO NOT STAY ON THE RECEPTACLE FOR SAFE PURPOSE.
(不使用时请勿将产品留在插座上,以确保安全)

Manufacturer : YANG JI CO.,LTD
 Tel : (886-2)8912-1212 Fax:(886-2)8912-1218
 Address :3/F., No.120, Lane 235, Baociao Rd.,Xindian Dist.,
 New Taipei City 231,Taiwan. (R.O.C.)
 Web Site :www.wonpro.com E-Mail: wonpro@ wonpro.com
 製造商 : 洋基科技有限公司
 電話 : (886-2)8912-1212 傳真 : (886-2)8912-1218
 地址 : 231新北市新店區寶橋路235巷120號3樓
 網址 : www.wonpro.com 電子信箱: wonpro@ wonpro.com

Model Number (型号)	TAP-103C	Description (品名)	Universal Adapter (万用转接器)	Safety Certification	Quality Certification
Suitable for Area (适用国家)	Russia,U.A.E,South America(Inlay Way) (俄国,中东各国,南美各国,嵌入式)				
制 作	李衍書		审 核	吳祖林	
批 准				邱明文	