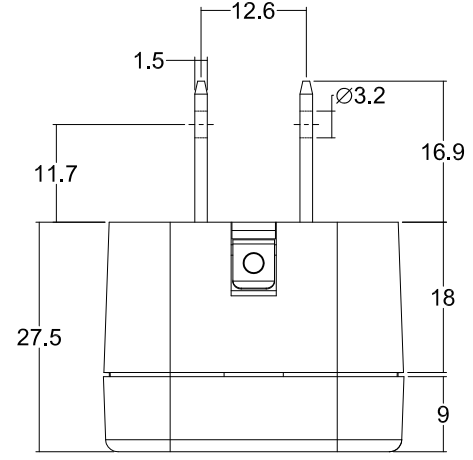
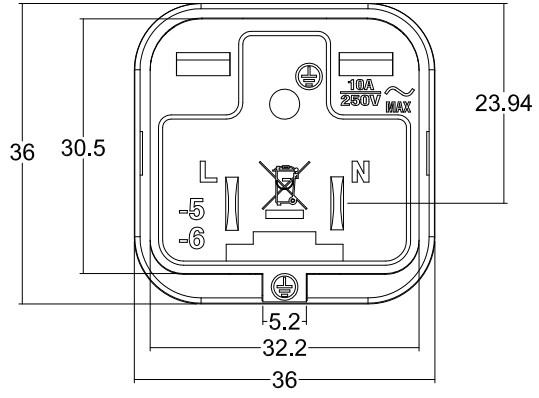
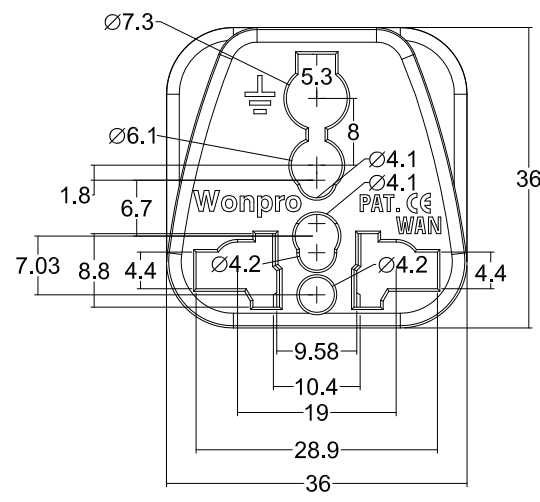


# Wonpro®

Specification Recognition

Customer (客戶名稱)	Spec.No. (承認書編號)	Version (版本)
Prod.Series (系列名稱)	WAN Series (WAN系列)	P1-02
		VER : A1 2013.8.30

Model Number (型號)	Rated (額定)	Insulated Voltage Proof (耐壓)
WAN-6	10A/250V ~	3KV



± 0.5

## Main Material (主要材質)

NO.	Parts Name (細部名稱)	Material (材質)	Specification (規格)	Certification (安規認證)
1.	shell (外壳)	PC	PC-110	UL E56070
2.	Plug plate (脚板)	PC	PC-110	UL E56070
3.	Plug pins (扁插脚)	Brass	C-2800 H62	GB/T2059-2008
4.	Conducting Strip (导电片)	Brass	C-2800 H62	GB/T2059-2008
5.				
6.				

## Per Packing Case (每一包裝外箱)

Packing Mode (包裝方式)	Q'TY (數量)	N.W. (淨重)	G.W. (毛重)	CUFT (材積)
Box: pcs/box (盒裝: 个/盒)				
Box/Carton (盒/箱)				
storage conditions (儲存条件)	In the normal Indoor temperature(-5~40°C) 一般室内环境温度(-5~40°C)		relative humidity(RH):20%~70% 相对湿度 (20%~70%)	



## Caution (注意事項)

- IT DOSE NOT PERFORM VOLTAGE STEP-UP OR STEP-DOWN CONVERSION BETWEEN 125V AND 250V.  
(本產品無電壓轉換之功能)
- WHEN USE, PLEASE CHECK AND ENSURE YOUR ELECTRONICS APPARATUS CAN WORK WITH THE LOCAL VOLTAGE.  
(使用本產品時, 請確認你的電器產品是否適用於當地電壓)
- WHEN MARK WITH INPUT 100V-240V, IT CAN BE USED ON THE RECHARGER LIKE PORTABLE COMPUTER, MOBILE PHONE & DIGITAL CAMERA. NO NECESS SELECT THE VOLTAGE.  
(一般常用之手提電腦行動電話, 數位相機之充電器若有標示INPUT 100V-240V即可使用, 無需選擇電壓)
- WHEN DO NOT USE, PLEASE TAKE OFF AND DO NOT STAY ON THE RECEPTACLE FOR SAFE PURPOSE.  
(不使用時請勿將產品留在插座上, 以確保安全)

Manufacturer : Pro1(Xiamen)CO.,LTD.  
 Address : 2F NO.3 Gaodian Technology Garden NO.27 Chunagxin Rode Huli Area Xiamen Fujian Province China 361006  
 Web Site : www.wonpro.com  
 製造商 : 普罗万電子科技(廈門)有限公司  
 電話 : 86-592-5635050 傳真 : 86-592-5635500  
 網址 : www.wonpro.com  
 地址 : 福建省厦门市湖里区创新路27号高殿科技园3号厂房二楼

Model Number (型號)	WAN-6	Description (品名)	Universal Adapter: 2P (萬用轉接器: 2P)	Safety Certification	Quality Certification
Suitable for Area (適用國家)	China, Philippines, Thailand. (中國, 菲律賓, 泰國.)			CE	CAC
制 作	林小榕	審 核	吳祖林	批 准	邱明文