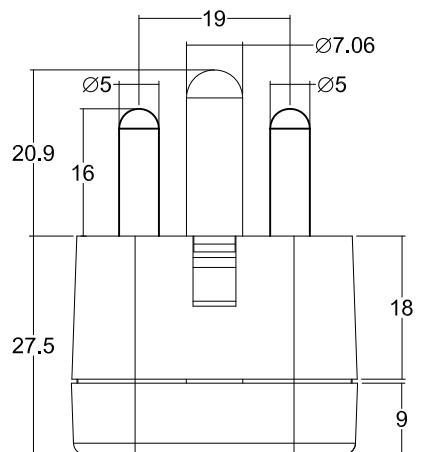
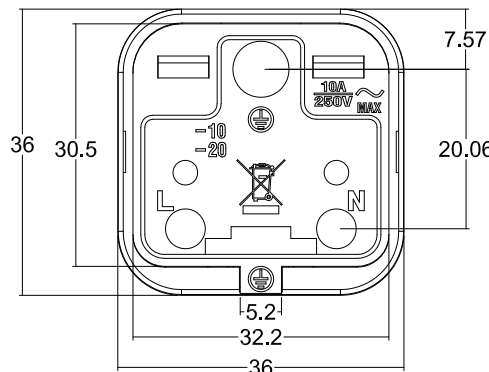
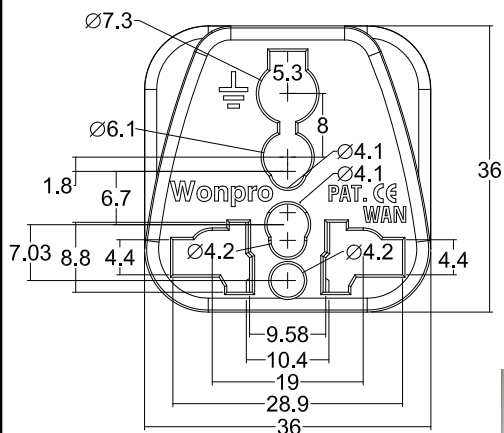


# Wonpro®

Specification Recognition

Customer (客戶名稱)	Spec.No. (承認書編號)	Version (版本)
Prod.Series (系列名稱)	P1-08	VER : A1 2013.09.04

Model Number (型號)	Rated (額定)	Insulated Voltage Proof (耐壓)
WANDB-10	10A/250 ~	3KV



± 0.5

## Main Material (主要材質)

NO.	Parts Name (細部名稱)	Material (材質)	Specification (規格)	Certification (安規認證)
1.	shell (外壳)	PC	PC-110	UL E56070
2.	Plug plate (脚板)	PC	PC-110	UL E56070
3.	Plug pins (圆插脚)	Brass	C-3604 H59	GB/T2059-2008
4.	Conducting Strip (导电片)	Brass	C-2800 H62	GB/T2059-2008
5.				
6.				

## Per Packing Case (每一包裝外箱)

Packing Mode (包裝方式)	Q'TY (數量)	N.W. (淨重)	G.W. (毛重)	CUFT (材積)
Box: pcs/box (盒裝: 個/盒)				
Box/Carton (盒/箱)				
storage conditions (儲存條件)	In the normal Indoor temperature(-5~40°C) 一般室內环境温度(-5~40°C)		relative humidity(RH):20%~70% 相对湿度 (20%~70%)	



## Caution (注意事項)

- 1.IT DOSE NOT PERFORM VOLTAGE STEP-UP OR STEP-DOWN CONVERSION BETWEEN 125V AND 250V.  
(本產品無電壓轉換之功能)
- 2.WHEN USE,PLEASE CHECK AND ENSURE YOUR ELECTRONICS APPARATUS CAN WORK WITH THE LOCAL VOLTAGE.  
(使用本產品時,請確認你的電器產品是否適用於當地電壓)
- 3.WHEN MARK WITH INPUT 100V-240V,IT CAN BE USED ON THE RECHARGER LIKE PORTABLE COMPUTER,MOBILE PHONE & DIGITAL CAMERA.NO NECESS SELECT THE VOLTAGE.  
(一般常用之手提電腦行動電話,數位相機之充電器若有標示INPUT 100V-240V即可使用,無需選擇電壓)
- 4.WHEN DO NOT USE,PLEASE TAKE OFF AND DO NOT STAY ON THE RECEPTACLE FOR SAFE PURPOSE.  
(不使用時請勿將產品留在插座上,以確保安全)

Manufacturer :Pro1(Xiamen)CO.,LTD.  
Address :2F NO.3 Gaodian Technology Garden NO.27 Chunagxin Rode Huli Area Xiamen Fujian Province China 361006  
Web Site :www.wonpro.com  
製造商 :普罗万電子科技(廈門)有限公司  
電話 :86-592-5635050 傳真 :86-592-5635500  
網址 :www.wonpro.com  
地址 :福建省厦门市湖里区创新路27号高殿科技园3号厂房二楼

Model Number (型號)	WANDB-10	Description (品名)	Universal Adapter: 2P+E Ground (萬用轉接器: 2P+E接地型)	Safety Certification	Quality Certification
Suitable for Area (適用國家)	10A/250V:India;5A/250V:South Africa,HongKong. (10A/250V:印度;5A/250V:南非,香港)			CE	CAC
制 作	林小榕	审 核	吴祖林	批 准	邱明文