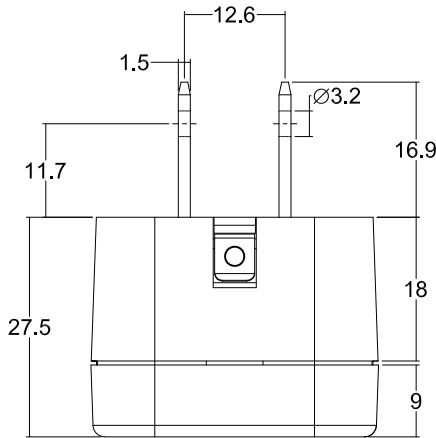
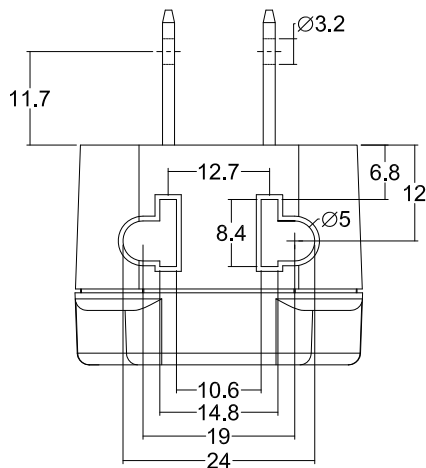
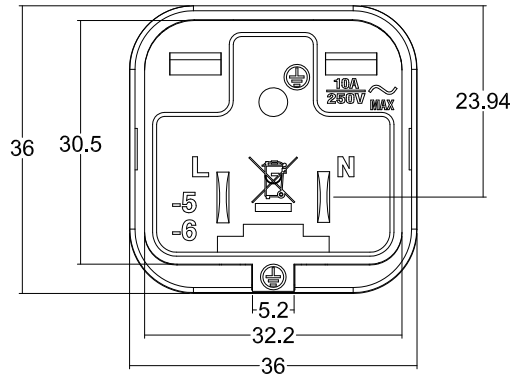
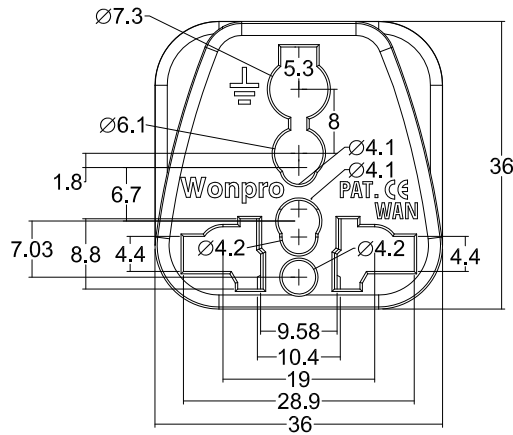


Wonpro®

Specification Recognition

| | | |
|-----------------------|---------------------|------------------------|
| Customer (客戶名稱) | Spec.No. (承認書編號) | Version (版本) |
| Prod.Series (系列名稱) | P1-02 | VER : A1 2013.08.30 |

| | | |
|----------------------|---------------|---------------------------------|
| Model Number (型號) | Rated (額定) | Insulated Voltage Proof (耐壓) |
| WANDB-6 | 10A/250V ~ | 3KV |



± 0.5

Main Material (主要材質)

| NO. | Parts Name (細部名稱) | Material (材質) | Specification (規格) | Certification (安規認證) |
|-----|---------------------------|------------------|-----------------------|-------------------------|
| 1. | shell (外壳) | PC | PC-110 | UL E56070 |
| 2. | Plug plate (脚板) | PC | PC-110 | UL E56070 |
| 3. | Plug pins (扁插腳) | Brass | C-2800 H62 | GB/T2059-2008 |
| 4. | Conducting Strip (导电片) | Brass | C-2800 H62 | GB/T2059-2008 |
| 5. | | | | |
| 6. | | | | |

Per Packing Case (每一包裝外箱)

| Packing Mode (包裝方式) | Q'TY (數量) | N.W. (淨重) | G.W. (毛重) | CUFT (材積) |
|------------------------------|--|--------------|---|--------------|
| Box: pcs/box (盒裝: 個/盒) | | | | |
| Box/Carton (盒/箱) | | | | |
| storage conditions (儲存條件) | In the normal Indoor temperature(-5~40°C) 一般室內环境温度(-5~40°C) | | relative humidity(RH):20%~70% 相对湿度 (20%~70%) | |



Caution (注意事項)

- IT DOSE NOT PERFORM VOLTAGE STEP-UP OR STEP-DOWN CONVERSION BETWEEN 125V AND 250V.
(本產品無電壓轉換之功能)
- WHEN USE,PLEASE CHECK AND ENSURE YOUR ELECTRONICS APPARATUS CAN WORK WITH THE LOCAL VOLTAGE.
(使用本產品時,請確認你的電器產品是否適用於當地電壓)
- WHEN MARK WITH INPUT 100V-240V,IT CAN BE USED ON THE RECHARGER LIKE PORTABLE COMPUTER,MOBILE PHONE & DIGITAL CAMERA.NO NECESS SELECT THE VOLTAGE.
(一般常用之手提電腦行動電話,數位相機之充電器若有標示INPUT 100V-240V即可使用,無需選擇電壓)
- WHEN DO NOT USE,PLEASE TAKE OFF AND DO NOT STAY ON THE RECEPTACLE FOR SAFE PURPOSE.
(不使用時請勿將產品留在插座上,以確保安全)

Manufacturer :Pro1(Xiamen)CO.,LTD.
 Address :2F NO.3 Gaodian Technology Garden NO.27 Chunagxin Rode Huli Area Xiamen Fujian Province China 361006
 Web Site :www.wonpro.com
 製造商: 普罗万電子科技(廈門)有限公司
 電話: 86-592-5635050 傳真: 86-592-5635500
 網址: www.wonpro.com
 地址: 福建省厦门市湖里区创新路27号高殿科技园3号厂房二楼

| | | | | | |
|-----------------------------|---|---------------------|--------------------------------------|-------------------------|--------------------------|
| Model Number (型號) | WANDB-6 | Description (品名) | Universal Adapter: 2P (萬用轉接器: 2P) | Safety Certification | Quality Certification |
| Suitable for Area (適用國家) | China, Philippines, Thailand. (中國, 菲律賓, 泰國.) | | | | |
| 制 作 | 林小榕 | 審 核 | 吳祖林 | 批 准 | 邱明文 |