

Wonpro®

Customer
(客戶名稱)

Prod. Series
(系列名稱)

Spec. No.
(承認書編號)

Version
(版本)

Model Number
(型號)

Rated
(額定)

Insulated Voltage
Proof (耐壓)

Specification Recognition

WE-4-I Series
(WE-4-I系列)

161210
Feng

WE-4-I-C14

10A/250V ~

3KV

Main Material (主要材質)

NO.	Parts Name (細部名稱)	Material (材質)	Specification (規格)	Certification (安規認證)
1.	Shell (外壳)	ABS	777D	
2.	Conducting Strip (导电片)	Brass	H62	C5077
3.				
4.				
5.				
6.				

Per Packing Case (每一包裝外箱)

Packing Mode (包裝方式)	Q'TY (數量)	N. W. (淨重)	G. W. (毛重)	CUFT (材積)
Box: pcs/box (盒裝: 個/盒)				
Blister Card (吊卡裝)				



Caution (注意事項)

- IT DOSE NOT PERFORM VOLTAGE STEP-UP OR STEP-DOWN CONVERSION BETWEEN 125V AND 250V.
(本產品無電壓轉換之功能)
- WHEN USE, PLEASE CHECK AND ENSURE YOUR ELECTRONICS APPARATUS CAN WORK WITH THE LOCAL VOLTAGE.
(使用本產品時, 請確認你的電器產品是否適用於當地電壓)
- WHEN MARK WITH INPUT 100V-240V, IT CAN BE USED ON THE RECHARGER LIKE PORTABLE COMPUTER, MOBILE PHONE & DIGITAL CAMERA. NO NECESS SELECT THE VOLAGE.
(一般常用之手提電腦行動電話, 數位相機之充電器若有標示INPUT 100-240即可使用, 無需選擇電壓)
- WHEN DO NOT USE, PLEASE TAKE OFF AND DO NOT STAY ON THE RECEPTACLE FOR SAFE PURPOSE.
(不使用時請勿將產品留在插座上, 以確保安全)

Manufacturer : WONPRO CO., Ltd.

Tel : (886-2)8912-1212 Fax: (886-2)8912-1218

Address : 3FL. NO. 118, Lane 235 ,Pao - Chiao Road ,
Hsin Tien City, Taipei Hsien ,Taiwan R. O. C

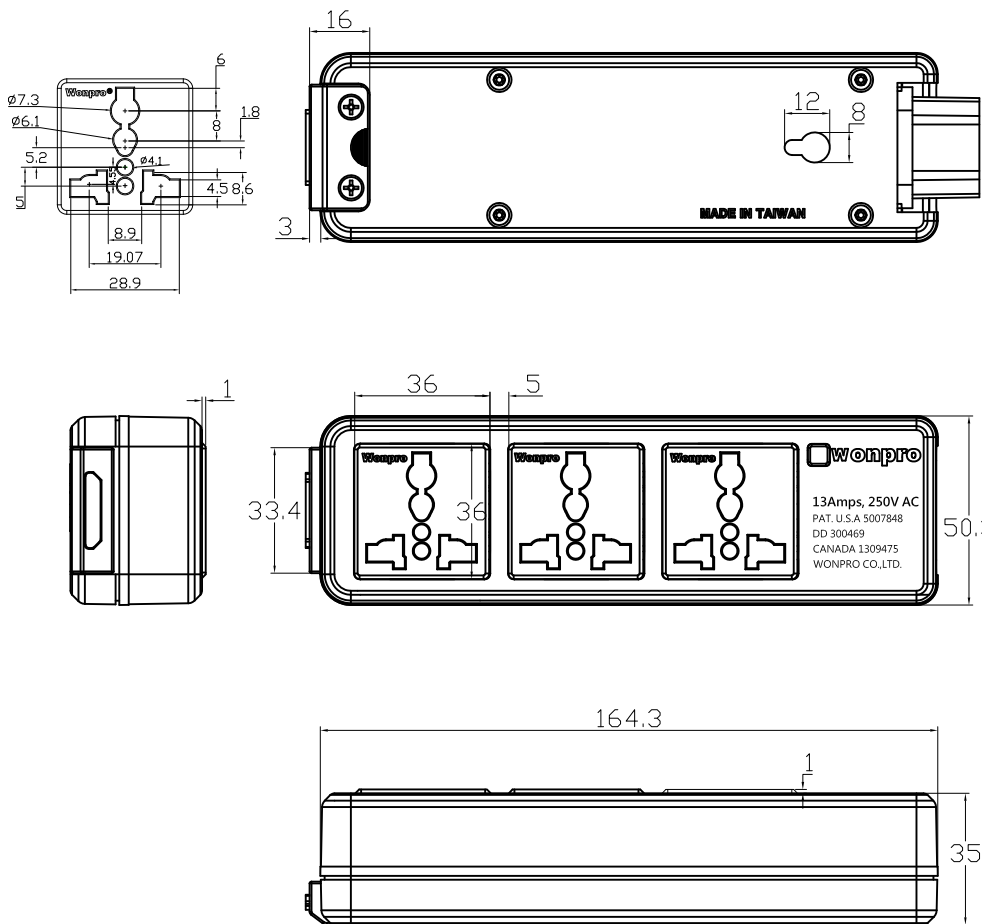
Web Site: www.wonpro.com E-Mail: wonpro @ wonpro.com

製造商: 梵輔路有限公司

電話: (886-2)8912-1212 傳真: (886-2)8912-1218

地址: (231)台北縣新店市寶橋路235巷118號3樓

網址: www.wonpro.com 電子信箱: wonpro @ wonpro.com



± 0.5

Model Number
(型號)

WE-4-I-C14

Description
(品名)

Universal Multi-Outlet Extension Set(3 Receptacles)
(萬用多功能延長線組-3插孔)

Safety
Certification



Quality
Certification



Suitable for Area
(適用國家)

All over the world.
(世界通用)