

Wonpro®

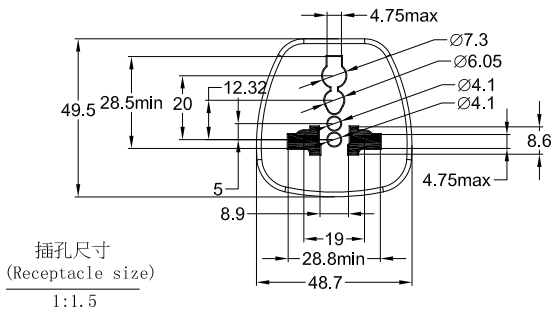
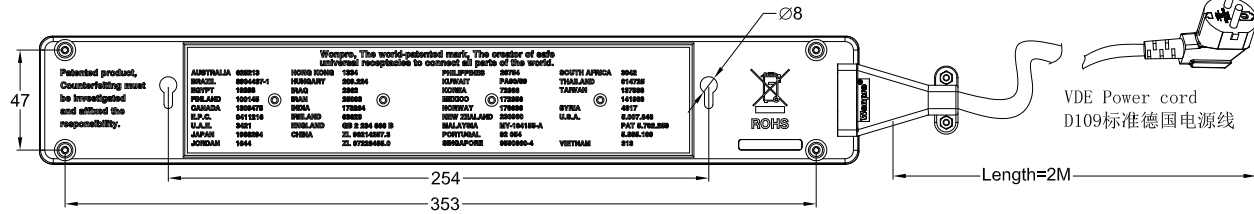
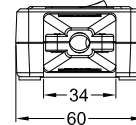
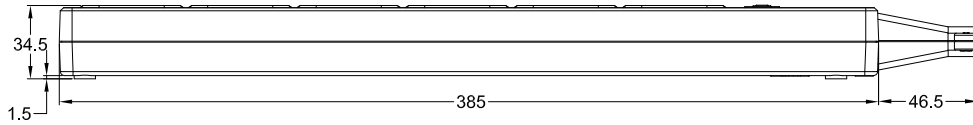
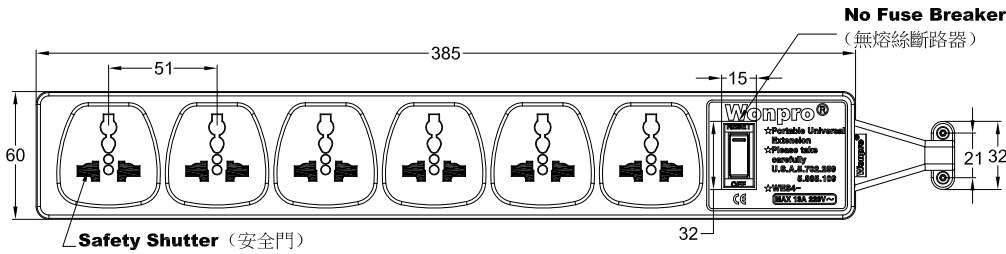
Specification Recognition

Customer (客戶名稱)	Spec. No. (承認書編號)	Version (版本)
Prod. Series (系列名稱)		VER: A1 2016. 12. 15

Model Number (型號)	Rated (額定)	Insulated Voltage Proof (耐壓)
WES4-D109 (2M)	MAX 13A/220V~	AC 2000V 60sec

Main Material (主要材質)

No.	Parts Name (細部名稱)	Material (材質)	Specification (規格)	Certification (安規認證)
1.	Shell (外殼)	PC	PC-110	UL E56070
2.	Safety Shutter (安全門)	NYLON 尼龍	PA66 1300S	UL E48285
3.	No Fuse Breaker (無熔絲斷路器)	SS-002 CBS	15A250V	UL E152074
4.	Surge Absorber (突波吸收器)	ZINC OXIDE	14D471K	VDE 40040037
5.	Cord (電源線)	H05VV-F	3G 1.5mm ²	VDE NO. 40024356
6.	Cord Plug (電源插頭)	D109标准德国电源线 TY-013		VDE NO. 4002155
7.	Receptacle Terminal (插座導電片)	Brass	C2800 H62	GB/T2059-2008



Dimensional	Tolerance
1-6	±0.1
6-30	±0.2
30-100	±0.25
100-300	±0.35
300-1000	±0.45

storage conditions (儲存條件)	In the normal Indoor temperature(-5~40°C) 一般室內環境溫度(-5~40°C)	relative humidity(RH):20%~70% 相對濕度 (20%~70%)
------------------------------	--	---

Caution (注意事項)

- IT DOES NOT PERFORM VOLTAGE STEP-UP OR STEP-DOWN CONVERSION BETWEEN 125V AND 250V.
(本產品無電壓轉換之功能)
- WHEN USE, PLEASE CHECK AND ENSURE YOUR ELECTRONICS APPARATUS CAN WORK WITH THE LOCAL VOLTAGE.
(使用本產品時，請確認你的電器產品是否適用於當地電壓)
- WHEN MARK WITH INPUT 100V~240V, IT CAN BE USED ON THE RECHARGER LIKE PORTABLE COMPUTER, MOBILE PHONE & DIGITAL CAMERA. NO NECESS SELECT THE VOLTAGE.
(一般常用之手提電腦行動電話，數位相機之充電器若有標示INPUT 100~240即可使用，無需選擇電壓)
- WHEN DO NOT USE, PLEASE TAKE OFF AND DO NOT STAY ON THE RECEPTACLE FOR SAFE PURPOSE.
(不使用時請勿將產品留在插座上，以確保安全)

Manufacturer : YANG JI CO.,LTD
 Tel : (886-2)8912-1212 Fax: (886-2)8912-1218
 Address : 3/F., No.120, Lane 235, Baociao Rd., Xindian Dist.,
 New Taipei City 231, Taiwan. (R.O.C.)
 Web Site : www.wonpro.com E-Mail: wonpro@wonpro.com
 製造商 : 洋基科技有限公司
 電話 : (886-2)8912-1212 傳真 : (886-2)8912-1218
 地址 : 231新北市新店區寶橋路235巷120號3樓
 網址 : www.wonpro.com 電子信箱: wonpro@wonpro.com

Model Number (型號)	WES4-D109 (2M)	Description (品名)	Universal Multi-Outlet Extension Set (6 Receptacles) (萬用多功能延長線組-6插孔)	Safety Certification	Quality Certification
Suitable for Area (適用國家)	All over the world (世界通用)				