

Wonpro®

Specification Recognition

Customer (客戶名稱)
Prod. Series (系列名稱)

WF-Series

Spec. No. (承認書編號)

Version (版本)
VER: A1
2019.11.26

Model Number (型號)

WF-6N

Rated (額定)

Insulated Voltage Proof (耐壓)

Main Material (主要材質)

| NO. | Parts Name (細部名稱) | Material (材質) | Specification (規格) | Certification (安規認證) |
|-----|-------------------|---------------|--------------------|----------------------|
| 1. | Enclosure (面板) | ABS | 765A | UL E56070 |
| 2. | Frame (框架) | ABS | 765A | UL E56070 |
| 3. | | | | |
| 4. | | | | |
| 5. | | | | |
| 6. | | | | |
| 7. | | | | |

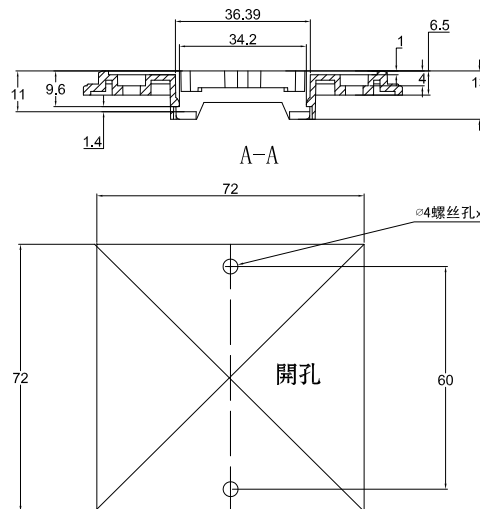
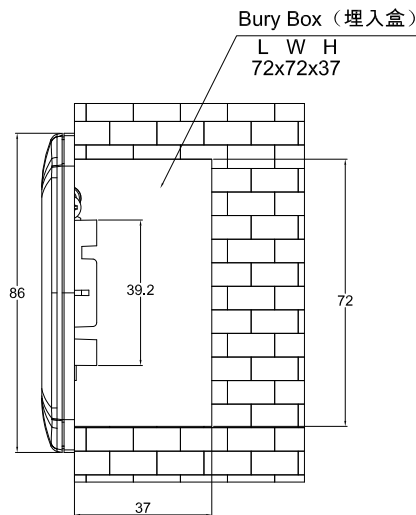
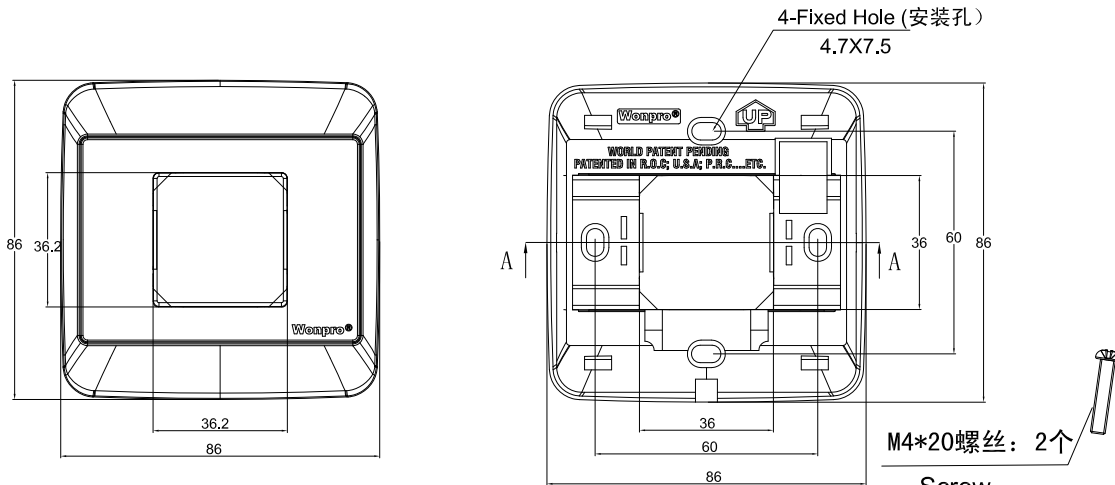
Per Packing Case (每一包裝外箱)

| Packing Mode (包裝方式) | Q'TY (數量) | N.W. (淨重) | G.W. (毛重) | CUFT (材積) |
|---------------------------|-----------------------------------------------------------------|-----------|------------------------------------------------|-----------|
| Box: pcs/box (盒裝: 个/盒) | | | | |
| Box/Carton (盒/箱) | | | | |
| storage conditions (儲存條件) | In the normal indoor temperature (-5~40°C) 一般室內环境温度(-5~40°C) | | relative humidity(RH):20%~70% 相对湿度(20%~70%) | |



Caution (注意事項)

1. Please assembled and used with Wonpro socket product (36*36mm).
请与wonpro插座产品(36*36mm)搭配使用



| Dimensional | Tolerance |
|-------------|-----------|
| 1-6 | ±0.1 |
| 6-30 | ±0.2 |
| 30-100 | ±0.25 |
| 100-300 | ±0.35 |
| 300-1000 | ±0.45 |

Manufacturer: YANG JI CO.,LTD
 Tel: (886-2)8912-1212 Fax:(886-2)8912-1218
 Address: 3F., No. 120, Ln. 235, Baoqiao Rd., Xindian Dist.,
 New Taipei City 23145, Taiwan (R.O.C.)
 Web Site: www.wonpro.com E-Mail: wonpro@wonpro.com
 製造商: 洋基科技有限公司
 電話: (886-2)8912-1212 傳真: (886-2)8912-1218
 地址: 23145新北市新店區寶橋路235巷120號3樓
 網址: www.wonpro.com 電子信箱: wonpro@wonpro.com

| | | | | | |
|--------------------------|----------------------|------------------|---------------------------------------------------|----------------------|-----------------------|
| Model Number (型號) | WF-6N | Description (品名) | 86N Series panel for 1 units use 面板(86N系列單孔面板) | Safety Certification | Quality Certification |
| Suitable for Area (適用國家) | Bury Box 72X72X37 mm | | | CE | afaq ISO 9001 Quality |
| 製作 | 钟亚红 | 審核 | 吳祖林 | 批准 | 邱明文 |